



Omega 5E Dishmachine

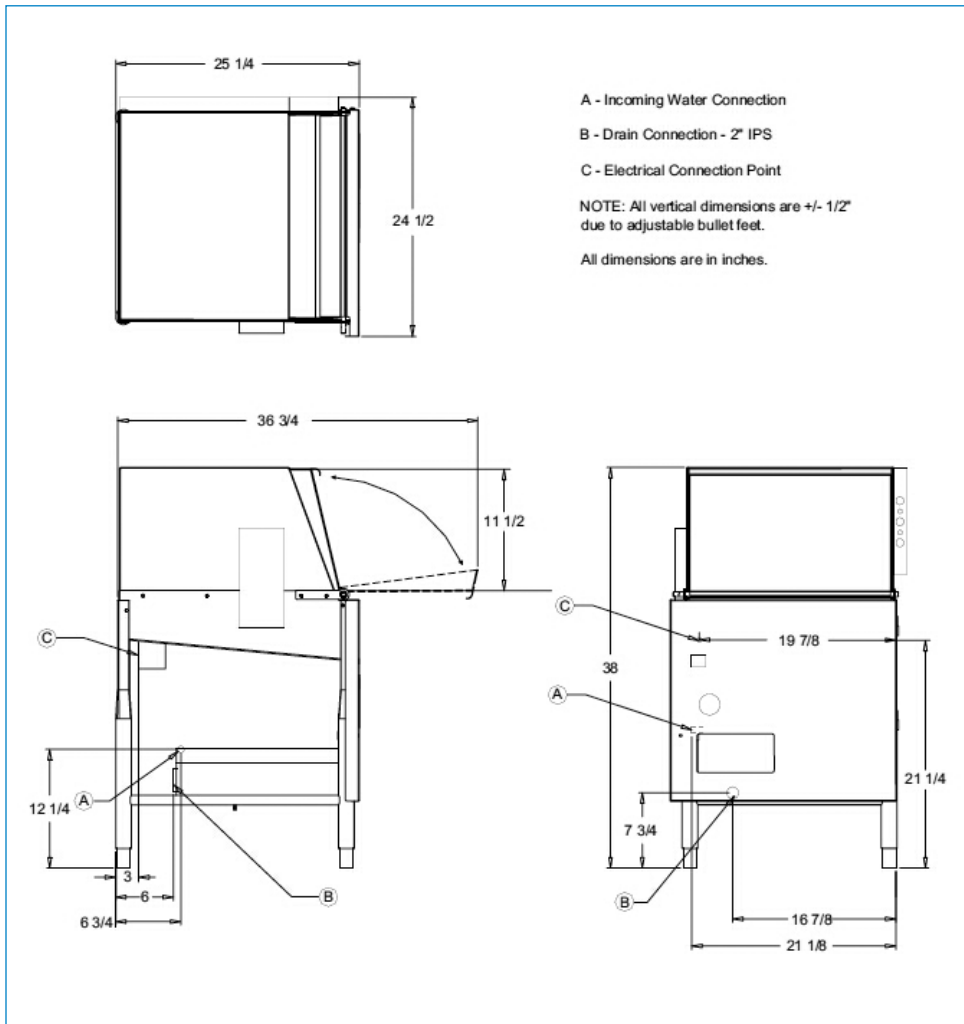
Leasing a dishmachine from Ecolab allows you to focus on your business with the security of knowing your warewashing operation is properly managed.

Versatile & Energy Efficient

- ▲ Waist-high loading increases productivity
- ▲ Low temperature Energy Star® machine, helps reduce operating costs
- ▲ NSF Certified for quality cleaning of dishes and glasses



Superior Results, 24-7 Service & A Great Financial Option.



OMEGA 5E SPECIFICATIONS:

OPERATING CAPACITY

Racks per Hour 31

OPERATING CYCLE (NORMAL)

Wash Time 43
 Dwell Time 18
 Rinse Time 24
 Load Time 30
 Total Cycle Time 115

OPERATING TEMPERATURES

Wash (minimum) 120° F
 Sanitizing Rinse (minimum) 120° F

WATER CONSUMPTION

Gallons per Rack 1.16

ELECTRICAL RATINGS

Wash Pump 3/4 hp

WEIGHT

Machine Weight 215 lbs

UTILITY REQUIREMENTS ELECTRICAL

Voltage/Frequency/Phase:
 115V/60Hz/1 Ph
 Total Amperage 16 A
 Minimum Electrical Circuit 20 A

WATER

Waterline Size (minimum) 1/2"
 Flow Pressure (required) 15-25 psi
 Incoming Temperature (min) 120° F
 Incoming Temperature (recommended) 140° F

DRAIN

Drainline Size (minimum) 2"

